

- Band7, RF-Tx SAW Filter
- Revision 0: July 2013

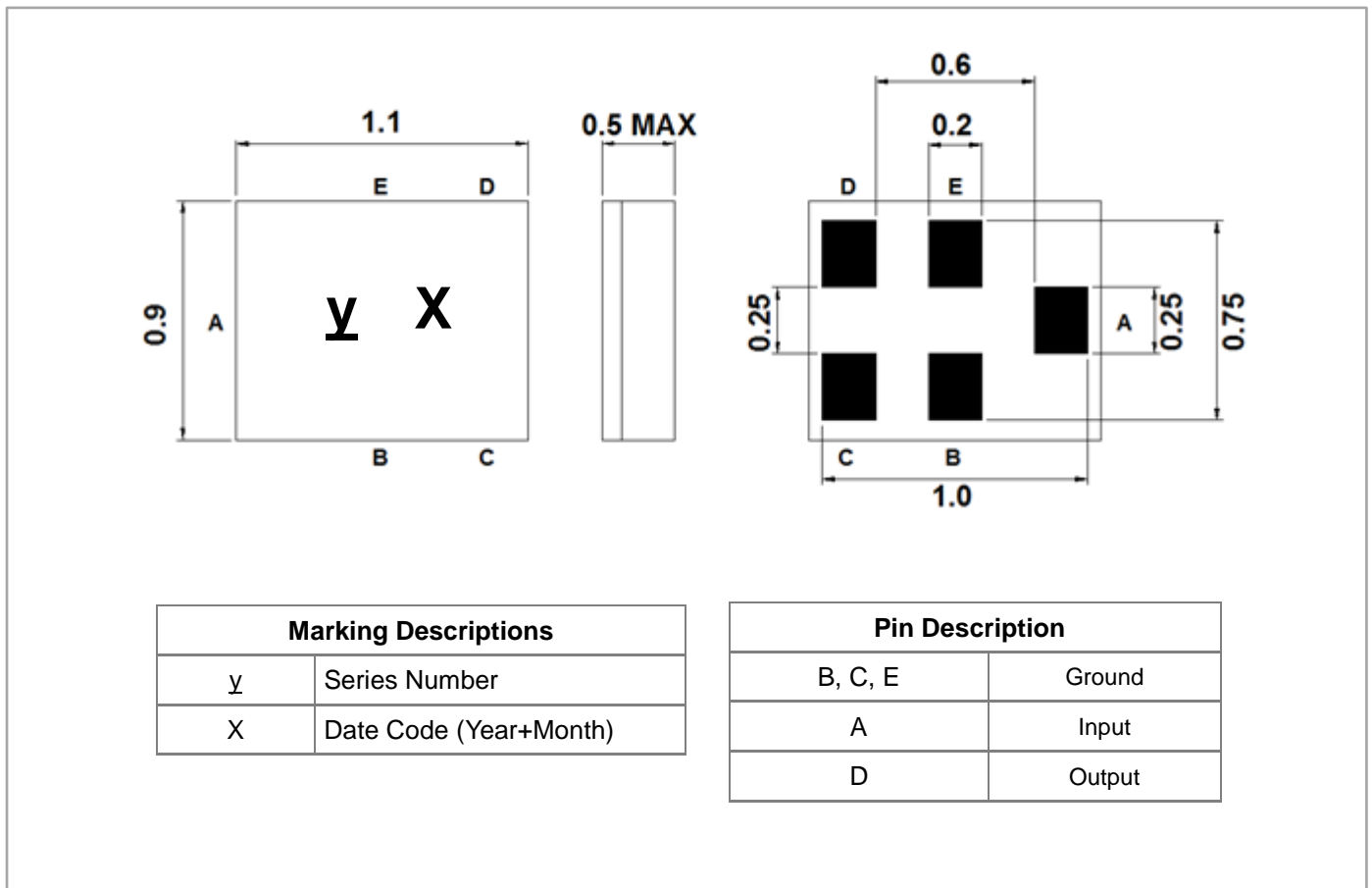
## Electrical Characteristics

MAXIMUM RATING				
PARAMETERS DESCRIPTION	UNIT	MINIMUM	TYPICAL	MAXIMUM
Operating Temperature Range	°C	-20	-	+85
Storage Temperature Range	°C	-40	-	+85
Maximum DC Voltage	V	-	-	-
Maximum Input Power	dBm	-	-	10
Source Impedance (single ended)	Ω	-	50	-
Load Impedance (single ended)	Ω	-	50	-
Package type & size	C12			
Length x Width	mm <sup>2</sup>	-	1.1 x 0.9	-
Height	mm	-	-	0.5

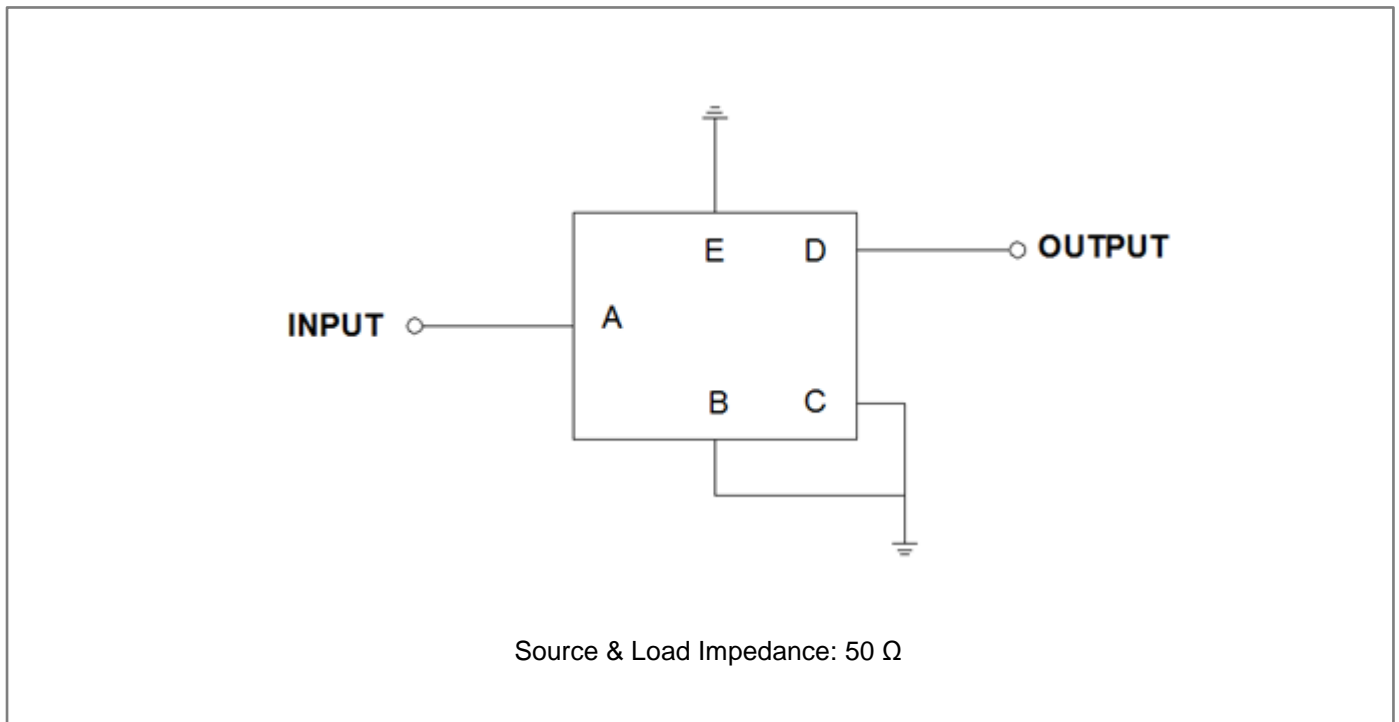
ELECTRICAL SPECIFICATION				
PARAMETERS DESCRIPTION	UNIT	MINIMUM	TYPICAL	MAXIMUM
Center Frequency (Fo)	MHz	-	2535.0	-
Insertion Loss within 2500.0 ~ 2570.0 MHz	dB	-	1.7	2.5
Amplitude Ripple within 2500.0 ~ 2570.0 MHz	dB <sub>p-p</sub>	-	1.2	2.0
<b>Attenuation:</b>				
1570.0 ~ 1610.0 MHz	dB	20	23	-
2400.0 ~ 2460.0 MHz	dB	25	32	-
2620.0 ~ 2690.0 MHz	dB	25	28	-
5000.0 ~ 5140.0 MHz	dB	25	36	-
7500.0 ~ 7710.0 MHz	dB	20	31	-
Input VSWR within 2500.0 ~ 2570.0 MHz		-	1.8	2.3
Output VSWR within 2500.0 ~ 2570.0 MHz		-	1.8	2.3

**Notes:** (1) No Matching Network (Ref. Testing Environment Circuit as shown below).

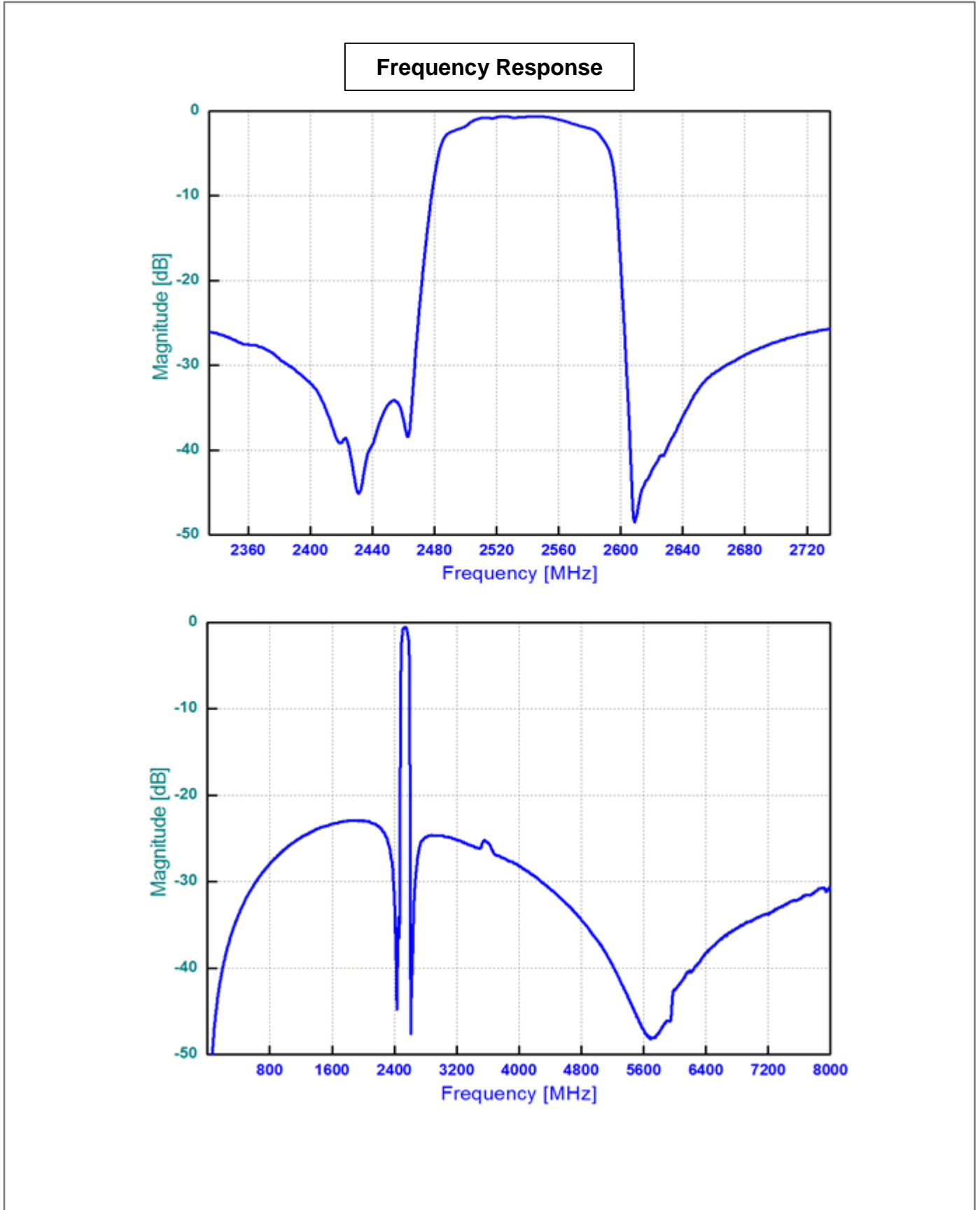
## Package Dimensions



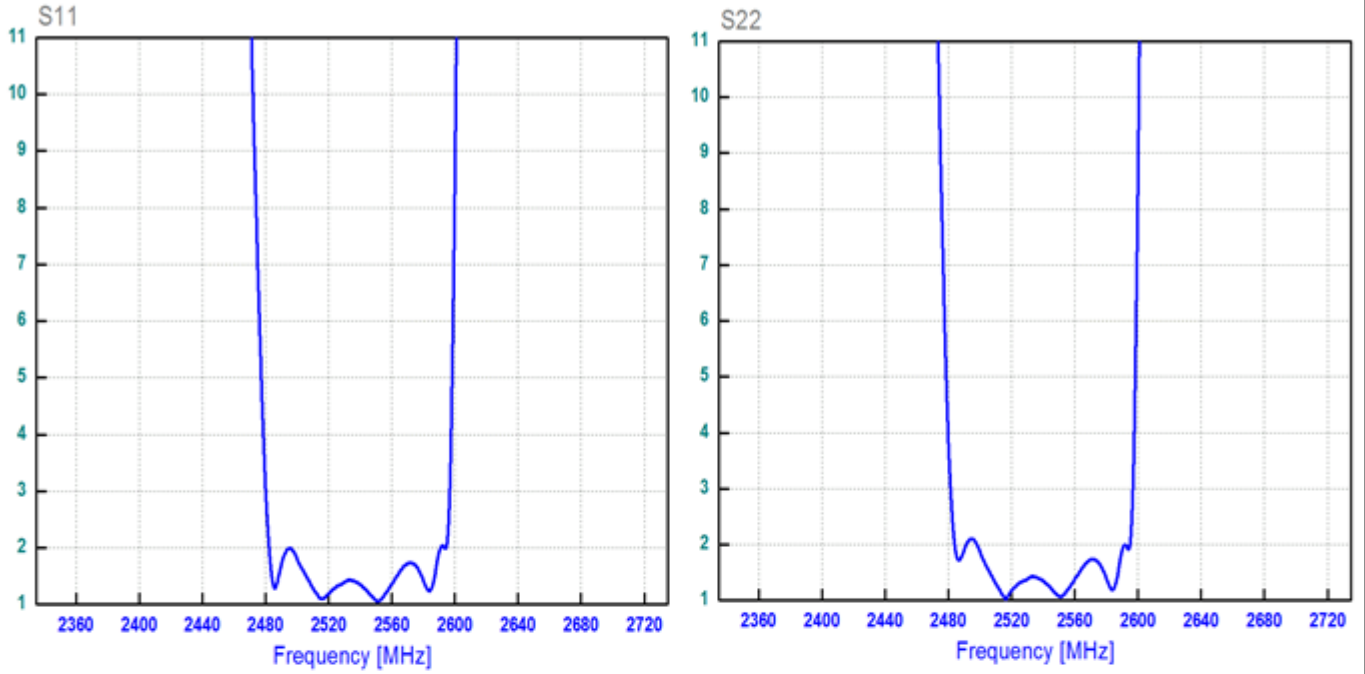
## Testing Environment



## Frequency Characteristics



### VSWR



### Smith Chart

